



COUGAR+™

THE ORIGINAL ASH VACUUM

OWNERS MANUAL

MU405 Series
A0500 Series



★ DESIGNED AND ASSEMBLED IN THE USA ★

LIVE CUSTOMER SUPPORT & SERVICE:
1.800.568.3949 Toll-free in the U.S.
dustlesstools.com
Patent No. 5,704,956

IMPORTANT SAFETY INSTRUCTIONS

IMPORTANTES MEDIDAS DE SEGURIDAD IMPORTANTE PARA SU SEGURIDAD

SAVE THESE INSTRUCTIONS CONSERVE CES INSTRUCCIONES GUARDAR ESTA INSTRUCCIONES

NOTE: The reading and understanding of the Owner's Manual is imperative prior to operating this machine. If you or your operator(s) cannot read English, have this manual explained fully before attempting to operate this machine. Si Ud. o sus operadores no pueden leer el inglés, el contenido completo de este manual será explicado antes de intentar operacion de esta máquina.

Read the Owner's Manual completely before attempting to operate this unit. Failure to follow the warnings and instructions may result in burns, fire, electric shock, or personal injury:

WORK AREA SAFETY

- Do not operate the vacuum in explosive atmospheres. Sparks from static electricity or the motor may ignite dust or fumes.

ELECTRICAL SAFETY

- Connect to a properly grounded outlet. See grounding instructions.
- Always unplug unit when not in use and before servicing.
- Electrical components are not user serviceable. Refer all service to a qualified repair technician.
- Do not handle the plug or operate the vacuum with wet hands.

PERSONAL SAFETY

- Do not allow to be used as a toy. Close attention is necessary when used by or near children.
- Do not change the filters, clean the unit, or empty the tank until the plug has been disconnected from the electrical outlet.
- Use special care when emptying heavily loaded canisters.
- Keep hair, loose clothing, fingers, and all parts of body away from openings and moving parts. There is a risk of injury through getting stuck or being drawn into moving machinery.
- Use extra care when working on stairs.
- Injury to the eyes and/or body can occur if protective clothing and/or equipment is not worn. Always wear safety goggles, protective clothing, hearing protection, and a dust mask. Exposure to high noise levels can cause hearing loss or impairment. Wear OSHA-approved hearing protection when using this vacuum.

TOOL USE AND CARE

- Always check the filter before each use. Do not use without the filter in place.
- Do not use with damaged cord or plug.
- Do not use if the vacuum is not working normally.
- Do not expose the vacuum to excessive heat, as damage to the vacuum may occur and the warranty will be null and void.
- Do not pull or carry by the cord, use the cord as a handle, close a door on the cord, or pull the cord around sharp edges or corners. Do not run the vacuum over the cord. Keep the cord away from heated surfaces.
- Do not unplug by pulling on the cord. To unplug, grasp the plug, not the cord
- Turn off all controls before unplugging.

GROUNDING INSTRUCTIONS:

This appliance must be grounded. If it should malfunction or break down, grounding provides a path of least resistance for electric current to reduce the risk of electric shock. This appliance is equipped with a cord having an equipment-grounding conductor and grounding plug. The plug must be inserted into an appropriate outlet that is properly installed and grounded in accordance with all local codes and ordinances.

WARNING - Improper connection of the equipment-grounding conductor can result in a risk of electric shock. Check with a qualified electrician or service person if you are in doubt as to whether the outlet is properly grounded. Do not modify the plug provided with the appliance - if it will not fit the outlet, have a proper outlet installed by a qualified electrician.

This appliance is for use on a nominal 120-V circuit, and has a grounded plug that looks like the plug illustrated in sketch A. A temporary adapter that looks like the adapter illustrated in sketches B and C may be used to connect this plug to a 2-pole receptacle as shown in sketch B if a properly grounded outlet is not available. The temporary adapter should be used only until a properly grounded outlet (sketch A) can be installed by a qualified electrician. The green colored rigid ear, lug, or the like extending from the adapter must be connected to a permanent ground such as a properly grounded outlet box cover. Whenever the adapter is used, it must be held in place by a metal screw. Exception: In Canada, the use of a temporary adapter is not permitted by the Canadian Electrical Code, C22.1.

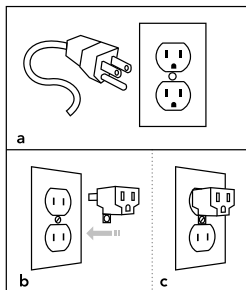
- Changes, add-ons, or conversions of the vacuum which might have an influence on the safety of the vacuum must not be undertaken without the permission of the manufacturer. This applies in particular to the fitting and adjustment of safety devices and to the welding on major and load bearing parts.
- Spare parts must always comply with the technical requirements and the specifications of the manufacturer. This is always guaranteed with original spare parts from the manufacturer.
- In the event of operational malfunctions, the vacuum must be shut down immediately. The malfunction must be corrected before starting the vacuum again!

SERVICE

- Adjustments, servicing, inspection work, and inspection intervals specified in these Operating Instructions, as well as any information on the replacement of parts and systems of the vacuum, must be undertaken and complied with.
- These activities can only be undertaken by qualified personnel.
- Make sure that electrical components used for replacement purposes comply with the original parts and are correctly adjusted if necessary.
- Before performing any maintenance, place the vacuum in the safety off position, which is the position of the vacuum when it cannot generate any hazard.

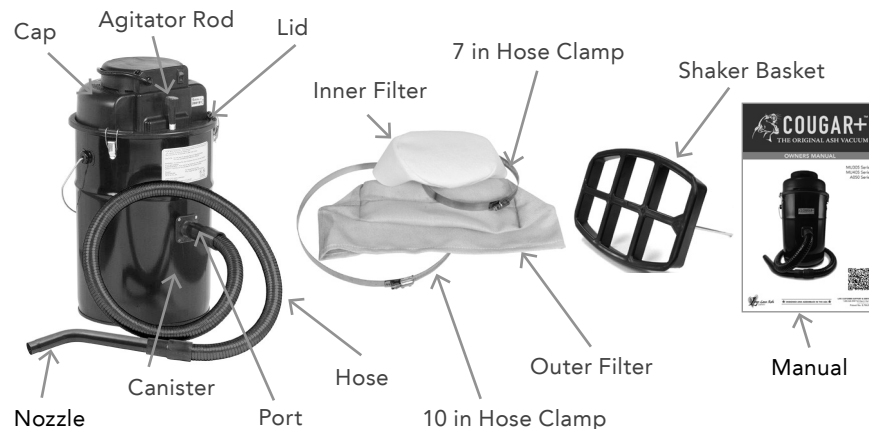
SPECIFIC SAFETY RULES

- Do not allow this unit to be used for anything other than ash removal.
- Do not store this unit immediately after ash removal in any enclosed or confined area.
- Do not vacuum burning/live material i.e. PELLETS.
- Do not use to pick up flammable or combustible liquids, such as gasoline.
- Use of accessories not recommended by the manufacturer may cause fire, electric shock, or injury.
- Please handle in accordance with the regulation of how to dispose of the ash so that you meet the requirements of local regulations.
- Do not use outdoors or on wet surfaces.
- Do not leave appliance when plugged. Unplug from outlet when not in use and before servicing. Do not use if appliance has been dropped, damaged, left outdoors, or exposed to water.
- WARNING** - Fire hazard - Intended for vacuuming cold to warm ashes only. General household or shop vacuum use could increase fire risk by induction of combustibles into unit prior to vacuuming ashes. Consult operating manual before use.

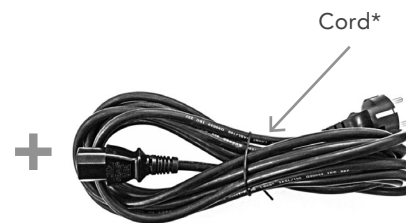


IN THE BOX

MU405 COUGAR:

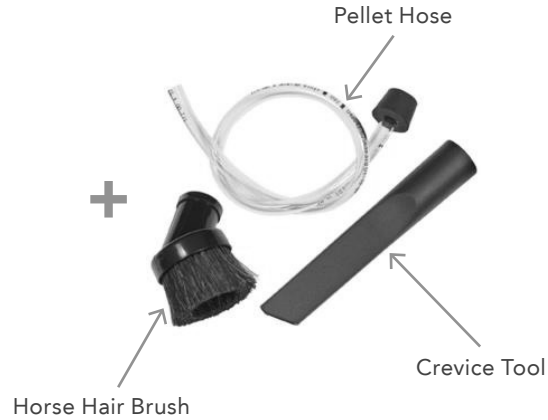


MU405-240V COUGAR:



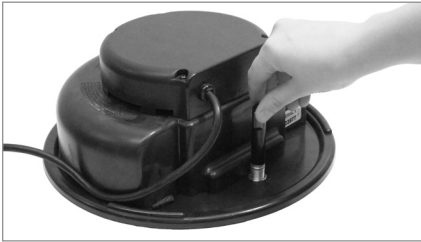
*Cord varies depending on destination country.

A0500 COUGAR+:



SETUP

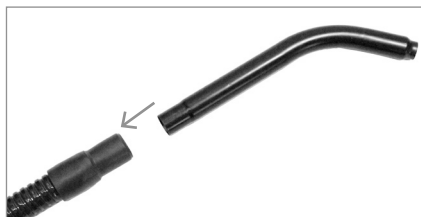
1. Remove entire contents of box.
2. Install filters. (Refer to Filter Installation)
3. From the top side of the lid, screw in the black agitator rod cover, finger tight only.



4. Place the lid on top of the canister and secure in place with the 3 lid clamps.

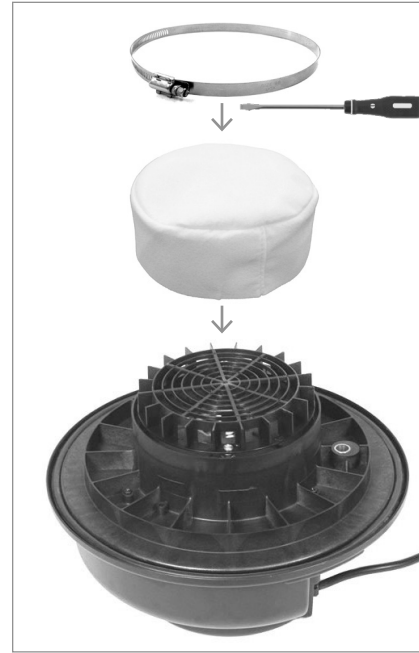


5. Slide one end of the hose on to the port connection on the side of the canister. This will be a snug fit. Slide the metal nozzle into the other end of the hose with the crimped end out. **NOTE:** Never use your Ash Vacuum without the metal nozzle in place.



FILTER INSTALLATION:

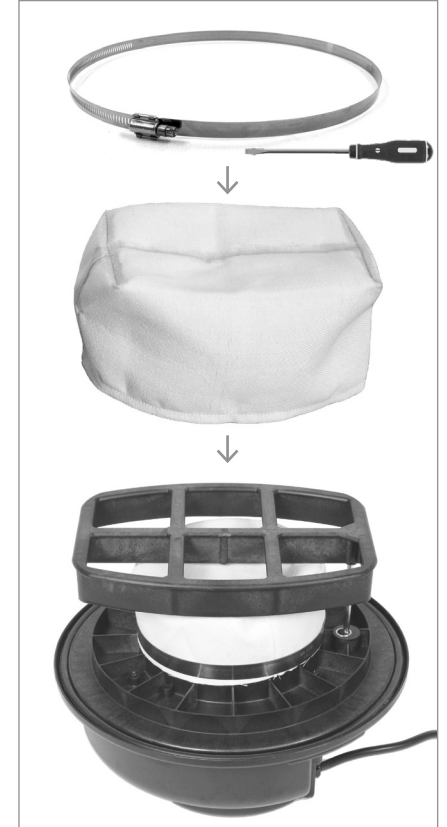
1. Place the inner filter (small white filter) over the filter support cage and attach with the 7" hose clamp. Tighten the clamp with a screw driver.



2. Place the shaker basket rod in the brass hole. The basket should rest on top of the filter.



3. Place the outer filter over the shaker basket and around the raised lip on the lid (lip is 1" from edge of the lid) attach with the 10" hose clamp. Tighten the clamp with a screw driver. Note: make sure the filter is down against the motor lid when attaching the clamp.



USAGE

TO REMOVE ASH:

1. Before vacuuming, move large pieces of debris to the side.

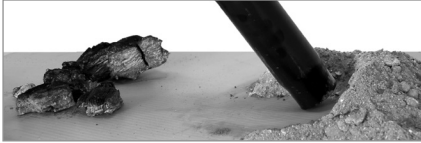


2. Place the crimped end of the metal nozzle flat on the bottom of the hearth.
3. Turn on the vacuum.

- Keep the metal nozzle at a 45-degree angle on the bottom of the hearth.



- Rub the metal nozzle in a circular motion on the bottom of the hearth to vacuum ash. Note: As ash accumulates on the end of the nozzle lightly tap the nozzle against the firebrick to crush and dislodge any blockage.



- VACUUM ONLY FINE ASH PARTICLES.

TO CLEAN FILTER:

- Always turn off the Ash Vacuum before cleaning the filters.



- Keep the lid closed on the canister, do not remove the lid.
- Remove the black agitator rod cover from the lid.



- OUTER FILTER** – Lift the agitator rod slightly and shake it from side to side five times so the basket hits the sides of the outer filter to break the crust of ash and make the particles fall off. Note: Pushing down may push the filter off.



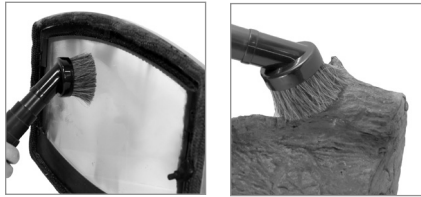
- Replace the black agitator rod cover to the top of the lid.



ACCESSORIES (COUGAR+ MODELS ONLY)

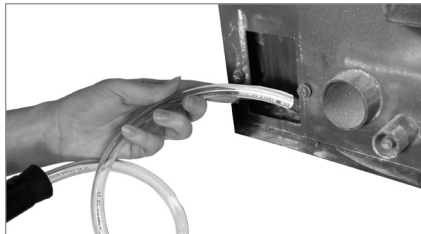
HORSE HAIR BRUSH:

Use the brush to clean bricks, glass and decorative logs.



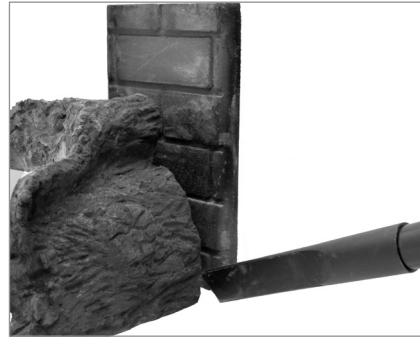
PELLET STOVE CLEANING HOSE:

Use the hose to get inside small vents.



CREVICE TOOL:

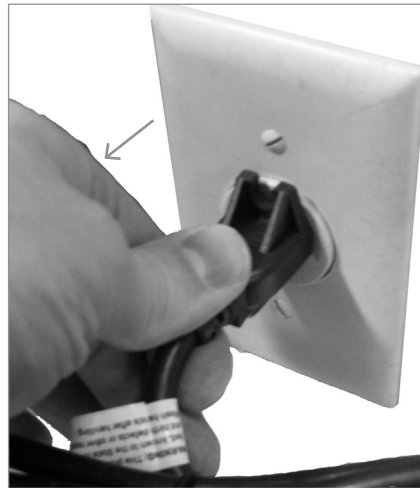
Use the crevice tool to clean tight corners.



MAINTENANCE

THOROUGH FILTER CLEANING

- Unplug the unit from the electrical outlet.



- Before removing the outer filter, use a household vacuum to vacuum along the hose clamp so the dust that collects there will not fall inside the filter when it is removed.



- Remove the outer filter and vacuum the **outside** of the inner filter and the **inside** of the outer filter.



- Before reattaching the filters, inspect them for possible holes which may allow ash to penetrate to the motor. Silicone rubber sealant may be used to repair small holes.

- Reattach the filters to the lid making sure the filters and hose clamps are placed properly and tightly. (Refer to Filter Installation)

FAQ

QUESTION	ANSWER
How do I avoid clogging the nozzle?	Be sure the nozzle is not in backward. Put the large end in the hose and the crimped end out. Place nozzle flat on firebrick and rub to move the large particles out of the way, maintain air flow. Tap nozzle on firebrick to crush larger particles as they accumulate on the end of the nozzle.
Why is dust escaping?	Check filter for holes and replace if necessary. Check that all 3 tabs on spark arrester are locked in place.
Why is the hose hot?	Cleaning ash that is TOO WARM. NEVER use gloves to compensate for a HOT hose.
Why is there poor suction?	Clean Filters. Turn off vacuum and lift the agitator rod slightly and shake from side to side 5 times.

WARRANTY

THREE-YEAR LIMITED WARRANTY

At Love-Less Ash, we stand behind what we build. We warranty this product to the original retail purchaser against defects in materials or workmanship for a period of three years after date of purchase.

This limited warranty does not cover claims resulting from: (I) misuse (II) neglect (III) modification (IV) failure to follow instructions.

WARRANTY CARD

Please register your product online at www.dustlesstools.com within 90 days of purchase.

WARRANTY CLAIMS

For warranty or returns on any of our products, please contact your place of purchase. Technical support is available at (800)568-3949 or orders@dustlesstools.com.

3-YEAR
WARRANTY